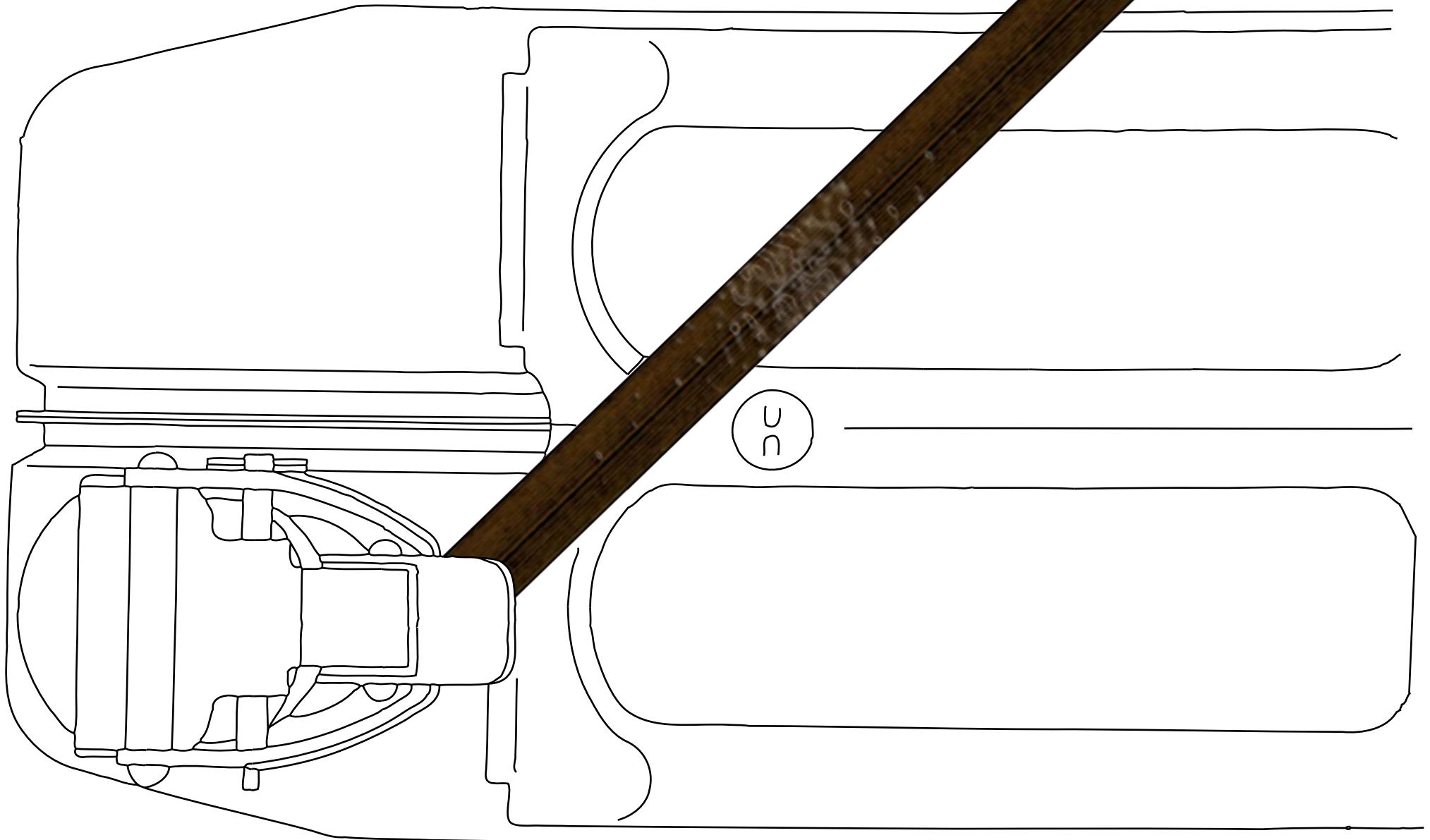


PROQUIP
VALUE ADDED PRODUCTS

If Metal Jerry can lid is unable to be opened,
place timber under tongue, and lever open.



www.proquip.com.au