

PROQUIP

AUSTRALIA'S No.1 FUEL CAN .COM.AU

SUPER CAN RANGE



Easy open
twist cap



Leakproof/
Storable in any
position



5 year warranty

BECAUSE AT PRO QUIP, QUALITY MATTERS
PRO QUIP INTERNATIONAL

14 LONDON DRIVE (PO BOX 852) BAYSWATER, VIC 3153
PH: 03 9761 1110 sales@proquip.com.au

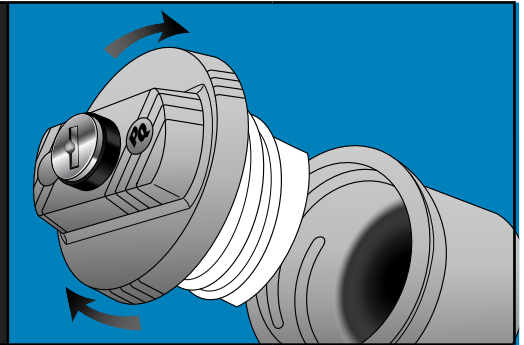


www.proquip.com.au

PROQUIP

AUSTRALIA'S No.1 FUEL CAN .COM.AU

The Patented Pro Quip Super Can improves on the traditional steel jerry can design by incorporating the familiar and easy to use features of a modified fuel filler cap. Opening a can has never been easier on the hands with only a few turns required. Vapour pressure build up can now be released in a more controlled manner than the traditional bayonet cap style allowed. Closing the cap is just as easy with the familiar "click" that lets you know the can is sealed.



PART NO.	DESCRIPTION	DIMENSION L X W X H (MM)	BARCODE	IMAGE
91097	<p>20L METAL SUPER CAN - RED AFAC - UNLEADED RUST RESISTANT LINING - 5 YEAR WARRANTY AS2906:2001 - U.N CERTIFIED Easy Open Twist Cap - Just Click to Close</p>	<p>345 x 165 x 470</p> 	 9 313853 910978	
91151	<p>20L METAL SUPER CAN - OLIVE YELLOW AFAC - DIESEL RUST RESISTANT LINING - 5 YEAR WARRANTY AS2906:2001 Easy Open Twist Cap - Just Click to Close</p>	<p>345 x 165 x 470</p> 	 9 313853 911517	
91096	<p>10L METAL SUPER CAN - RED AFAC - UNLEADED RUST RESISTANT LINING - 5 YEAR WARRANTY AS2906:2001 - U.N CERTIFIED Easy Open Twist Cap - Just Click to Close</p>	<p>345 x 165 x 275</p> 	 9 313853 910961	
91161	<p>10L METAL SUPER CAN - OLIVE YELLOW AFAC - DIESEL RUST RESISTANT LINING - 5 YEAR WARRANTY AS2906:2001 Easy Open Twist Cap - Just Click to Close</p>	<p>345 x 165 x 275</p> 	 9 313853 911616	
91095	<p>5L METAL SUPER CAN - RED AFAC - UNLEADED RUST RESISTANT LINING - 5 YEAR WARRANTY AS2906:2001 Easy Open Twist Cap - Just Click to Close</p>	<p>230 x 125 x 305</p> 	 9 313853 910954	
91173	<p>5L METAL SUPER CAN - BOTTLE GREEN AFAC - 2 STROKE 25:1 RUST RESISTANT LINING - 5 YEAR WARRANTY AS2906:2001 Easy Open Twist Cap - Just Click to Close</p>	<p>230 x 125 x 305</p> 	 9 313853 911739	

BECAUSE AT PRO QUIP, QUALITY MATTERS

PRO QUIP INTERNATIONAL

14 LONDON DRIVE (PO BOX 852) BAYSWATER, VIC 3153
 PH: 03 9761 1110 sales@proquip.com.au



www.proquip.com.au

PROQUIP

AUSTRALIA'S No.1 FUEL CAN .COM.AU

91174	5L METAL SUPER CAN - SHAMROCK GREEN AFAC - DRIP TORCH RUST RESISTANT LINING - 5 YEAR WARRANTY AS2906:2001 <i>Easy Open Twist Cap - Just Click to Close</i>	230 x 125 x 305 	 9 313853 911746	
91176	5L METAL SUPER CAN - BRIGHT BLUE AFAC - CHAIN & BAR OIL RUST RESISTANT LINING - 5 YEAR WARRANTY AS2906:2001 <i>Easy Open Twist Cap - Just Click to Close</i>	230 x 125 x 305 	 9 313853 911760	
91179	5L METAL SUPER CAN - PIPELINE GREY AFAC - 2 STROKE 50:1 RUST RESISTANT LINING - 5 YEAR WARRANTY AS2906:2001 <i>Easy Open Twist Cap - Just Click to Close</i>	230 x 125 x 305 	 9 313853 911791	
13355	SUPER CAN FLEXIBLE METAL POURER (UNLEADED) UNLEADED-ONLY SPECIFIC POURER PREVENTS MISFUELING <i>Only for use with Pro Quip Super Cans</i>	60 x 60 x 380 	 9 313853 133551	
23355	SUPER CAN FLEXIBLE METAL POURER (DIESEL) DIESEL-ONLY SPECIFIC POURER PREVENTS MISFUELING <i>Only for use with Pro Quip Super Cans</i>	60 x 60 x 380 	 9 313853 233558	
0987	SUPER CAN RETRO-FIT LOCKING CAP WITH KEY <i>Only for use with Pro Quip Super Cans</i>		 9 313853 009870	

Pro Quip Super Cans are leak proof in any position and can be stored in any orientation on a vehicle or trailer.

Super Can flexible pourers are available in diesel and unleaded versions.

Patented Design.

AS2906:2001 Approved. UN Certified (20L and 10L).



BECAUSE AT PRO QUIP, QUALITY MATTERS

PRO QUIP INTERNATIONAL

14 LONDON DRIVE (PO BOX 852) BAYSWATER, VIC 3153
 PH: 03 9761 1110 sales@proquip.com.au



www.proquip.com.au



AUSTRALIA'S

No. 1

FUEL CAN

BECAUSE AT PRO QUIP, QUALITY MATTERS

PRO QUIP INTERNATIONAL

14 LONDON DRIVE (PO BOX 852) BAYSWATER, VIC 3153
PH: 03 9761 1110 sales@proquip.com.au



www.proquip.com.au