

Model: B-1850/B-4000/B-6000



WORKING LOAD LIMIT 1850KG/4000KG/6000KG BOTTLE JACK

THIS NEW JACK CONFORMS TO AUSTRALIAN / NEW ZEALAND
STANDARD AS / NZS 2693:2007

OWNER'S MANUAL



- SAFETY INSTRUCTIONS
- OPERATION
- MAINTENANCE
- SPECIFICATIONS

**READ RULES FOR SAFE OPERATION AND
INSTRUCTIONS CAREFULLY**

SHINN FU AUSTRALIA PTY. LTD.
15 Viewtech Place, Rowville 3178 VIC Australia



IMPORTANT SAFETY WARNINGS



- USE ONLY ON HARD LEVEL SURFACES
- DO NOT GET UNDER A VEHICLE THAT IS SUPPORTED BY A JACK
- USE VEHICLE SUPPORT STANDS

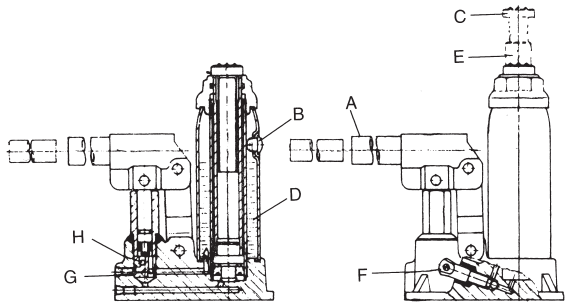
SAFE USAGE INSTRUCTIONS

RECOMMENDATIONS FOR SAFE USAGE OF THE JACK :

1. That the jack should be used on level firm ground wherever possible.
2. That it is recommended that the wheels of the vehicle be chocked, and that no person should remain in a vehicle that is being jacked.
3. That no person should place any portion of their body under a vehicle that is supported by a jack.
4. For specific vehicle jacks that are supplied as replacements for jacks supplied with a new vehicle, the information shall be supplied with the jack.

HYDRAULIC SYSTEM COMPONENTS

- A. HANDLE
- B. OIL FILLER PLUG
- C. SADDLE
- D. OIL RESERVIOR
- E. RAM
- F. RELEASE VALVE
- G. DELIVERY VALVE
- H. SUCTION VALVE



IMPORTANT :

Sometimes during shipment and handling air gets trapped in the hydraulic system causing poor performance. This will usually happen when changing the oil.

Purge any air from the system by opening the oil filler plug with the jack in the upright position. Pumping the handle will help force the air out and escape through the filler hole.

OPERATING PROCEDURES

TO RAISE :

1. Turn the release valve with the end of the handle clockwise until it is firmly closed before pumping.
2. Position the jack under the load and turn the extension screw or saddle until solid contact can be made with the load to be lifted.
3. Operate the jack handle until the saddle contacts the load. Once again, check to see that the saddle is correctly positioned.
4. After the load is lifted to desired height. Use appropriate means (e.g. vehicle support stands) to support the load immediately.

TO LOWER :

1. Raise the jack to remove the vehicle support stands.
2. Slowly turn the release valve counterclockwise (again using the handle) no more than 1/2 full turn. When under a load, the jack will lower to the original point of contact. If the piston is still extended, push the piston down manually so that the piston is not left exposed to the air thereby reducing exposure to rusting.

MAINTENANCE PROCEDURES

IMPORTANT :

- Do not use brake fluid, alcohol, glycerin, detergent, motor oil or dirty oil
- Use a good grade Hydraulic Fluid
- Improper fluid added can cause serious internal damage to the jack rendering it inoperative

TO ADD OIL :

With the saddle fully lowered and the piston depressed, set the jack in its horizontal level position and remove the oil filler plug. Fill until oil is level with the filler plug hole.

TO CHANGE OIL :

- For best performance and longest life, replace the complete oil supply at least once a year. To drain the oil, remove the filler plug. Lay the jack with oil filler hole downward and allow the oil to run out into suitable drain pan. The oil will run slowly because air must enter as the oil drains out.
- DO NOT allow dirt or foreign matter to get into the system. Replace with the proper oil as described above.

LUBRICATION :

Add proper lubricant oil to all pivoting sections every 3 months.

PREVENTING RUST :

Check ram (E) every 3 months for any sign of rust or corrosion. Clean as needed by wiping with an oily cloth. When not in use, always leave the saddle (C) and ram (E) all the way down.

SPECIFICATIONS

Model No.	: B-1850
Working Load Limit	: 1850 kg
Height Lowered	: 185 mm
Height Raised	: 345 mm
Base Area	: 125 x 80 mm ²
Handle Length	: 330 mm
Weight (net. Each)	: 3 kg

Model No.	: B-4000
Working Load Limit	: 4000 kg
Height Lowered	: 205 mm
Height Raised	: 393 mm
Base Area	: 142 x 92 mm ²
Handle Length	: 360 mm
Weight (net. Each)	: 4.1 kg

Model No.	: B-6000
Working Load Limit	: 6000 kg
Height Lowered	: 220 mm
Height Raised	: 428 mm
Base Area	: 144 x 90 mm ²
Handle Length	: 440 mm
Weight (net. Each)	: 5 kg