

Safe Jack

BOTTLE JACK EXTENSION SCREW COLLAR INSTRUCTION MANUAL

PART NO'S. 14125, 14126 & 14127

SUITABLE FOR BOTTLE JACKS
TO USE IN CONJUNCTION WITH RECOVERY KIT



Part No. 14125
4 or 6 Tonne
Extension Screw



Part No. 14126
12 Tonne
Extension Screw



Part No. 14127
20 Tonne
Extension Screw



WARNING: Study, understand and follow all instructions provided on and with this product and the jack it is used with. Lifting device only. Immediately support vehicle with jack stands. Do not exceed rated capacity. Failure to follow these instructions may result in personal injury or property damage.

The warnings, precautions, and instructions discussed in this manual cannot cover all possible conditions and situations that may occur. The operator must understand that common sense and caution are factors, which cannot be built into this product, but must be supplied by the operator.

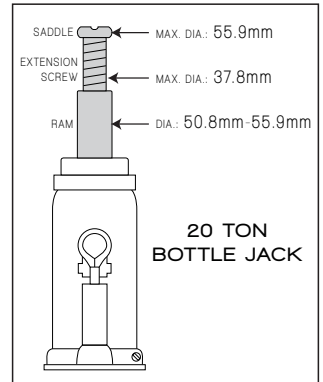
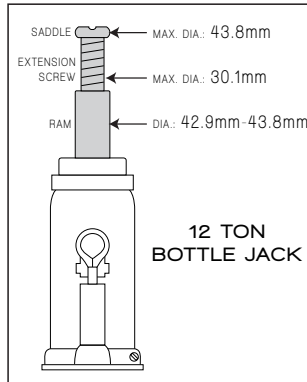
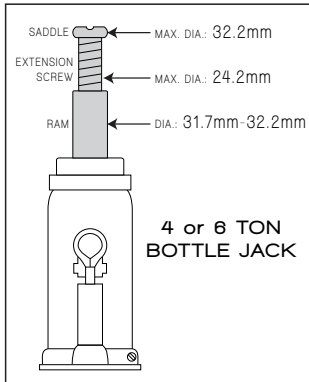
EXTENSION SCREW COLLAR

PURPOSE: The Extension Screw Collars are installed on bottle jacks to provide the proper fit for jack extensions and jack pads, but they also give the operator 100% of the usable stroke of the jack by extending and supporting the bottle jack extension screw.

The collars are simple to install in a few seconds, and can be removed just as easily.

BOTTLE JACK DIMENSIONS REQUIRED

The Extension Screw Collars are designed to work with 4, 6, 12 or 20 ton rated bottle jacks that fall within the minimum and maximum sizes as shown below.



SCREW COLLAR INSTALLATION

1. Ensure that your jack is appropriately sized for the collar you are using. See diagrams above.
2. Remove the O-Ring provided with the collar.

SCREW COLLAR INSTALLATION cont...



3. Extend the screw of your bottle jack until the collar will fit between the Ram and the Saddle. Close collar around screw.



4. Install the O-Ring over the collar, and fit into the groove in the centre.



5. Turn the screw down until it fits snugly against the collar.
6. Check the fit of the appropriate Safe Jack extension or jack pad. The fit of the extension or pad can be adjusted somewhat by adjusting the tension of the screw against the collar.

OTHER SAFE JACK PRODUCTS



SAFE JACK
6 TONNE
BOTTLE JACK

PART NO. 14600



SAFE JACK
BOTTLE JACK
RECOVERY
KIT

PART NO. 14110



SAFE JACK
BOTTLE JACK
BASE PLATE
INSERT

PART NO. 14121



SAFE JACK
BOTTLE JACK
UNIVERSAL
BASE PLATE

PART NO. 14000



SAFE JACK
12 TONNE
RAM
ADAPTOR
PART NO. 14140



SAFE JACK
20 TONNE
RAM
ADAPTOR
PART NO. 14145



SAFE JACK
BOTTLE JACK
ROUND JACK
PAD
PART NO. 14150



SAFE JACK
BOTTLE JACK
SEMI AXLE
TUBE PAD
PART NO. 14160

EXCLUSIVE AUSTRALIAN DISTRIBUTOR

PROQUIP
VALUE ADDED PRODUCTS

PRO QUIP INTERNATIONAL PQI PTY LTD T/As
14 London Drive (PO Box 852), Bayswater VIC 3153 Australia
phone: (03) 9761 1110 email: sales@proquip.com.au

www.proquip.com.au